

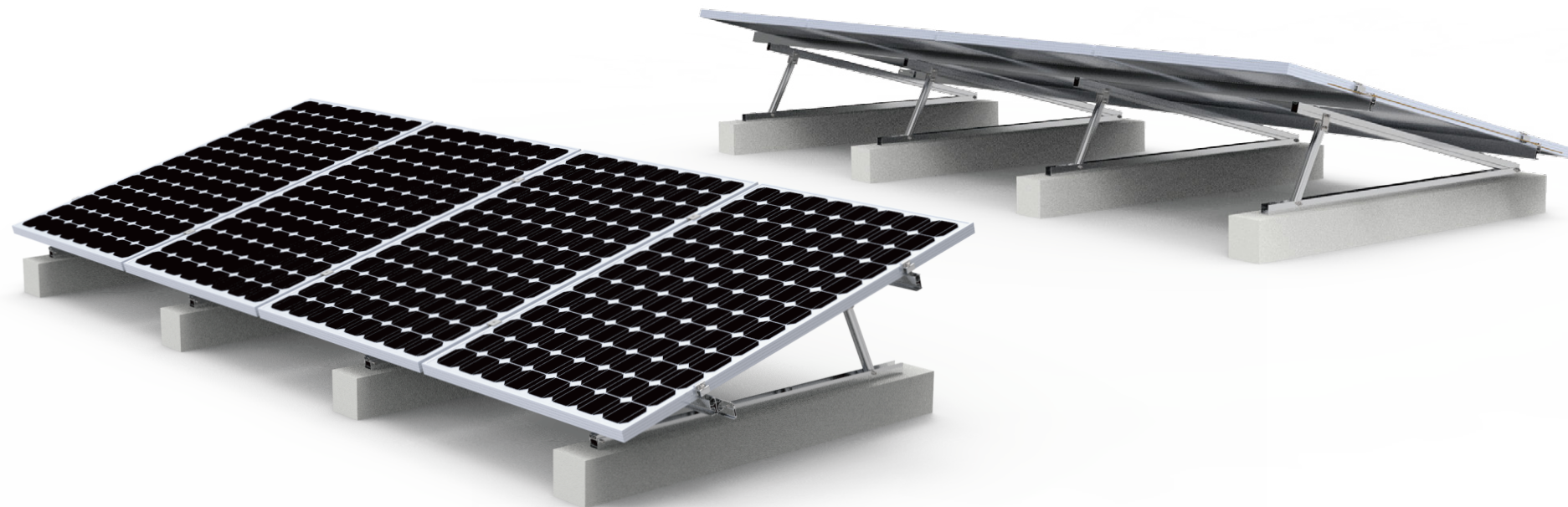


## 2019 NEW TRIPOD FLAT ROOF SOLAR MOUNT



[www.enerack.com](http://www.enerack.com)

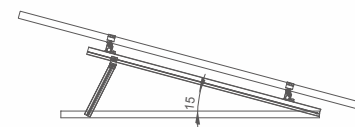
PUB  
NOV  
2019



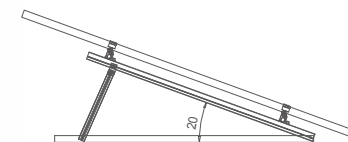
Standard tripod rack, for single row module installation ideal for small installation on roof or ground.  
Various elevations 15,20,25,30 or custom elevations available.

## Tripodracktechnicalfeatures

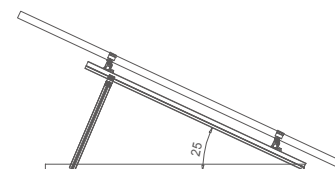
Product name	Standard tripod rack
Application	Flat roof or open terrain
Inclination	15°,20°,25°,30°
Tripod material	Aluminum alloy 6005 T5
finish	Anodized clear, avg 12um
PV module	Framed,unframed
Module size	60 or 72cell
Module orientation	Portrait



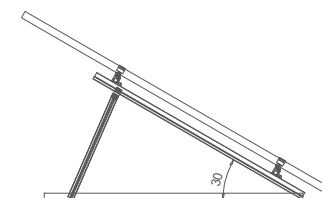
The Angle 15°



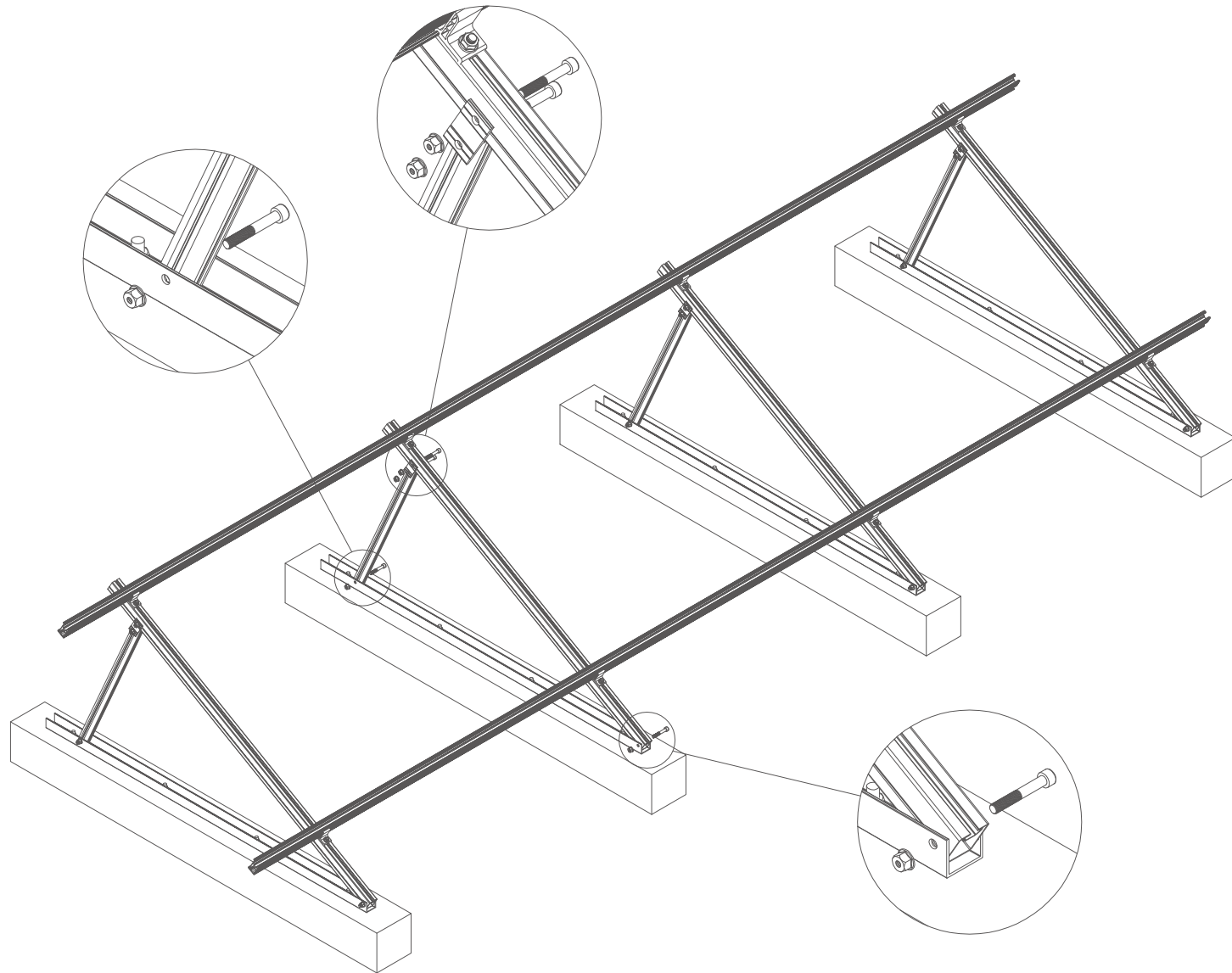
The Angle 20°

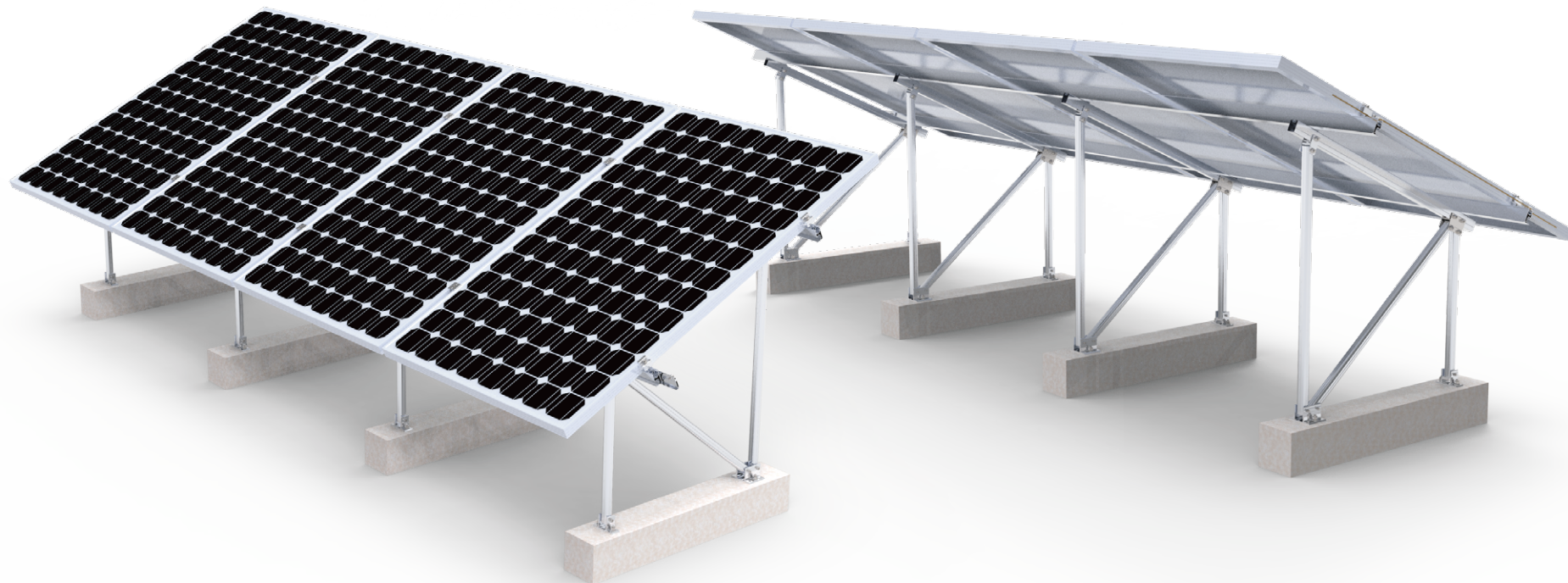


The Angle 25°



The Angle 30°

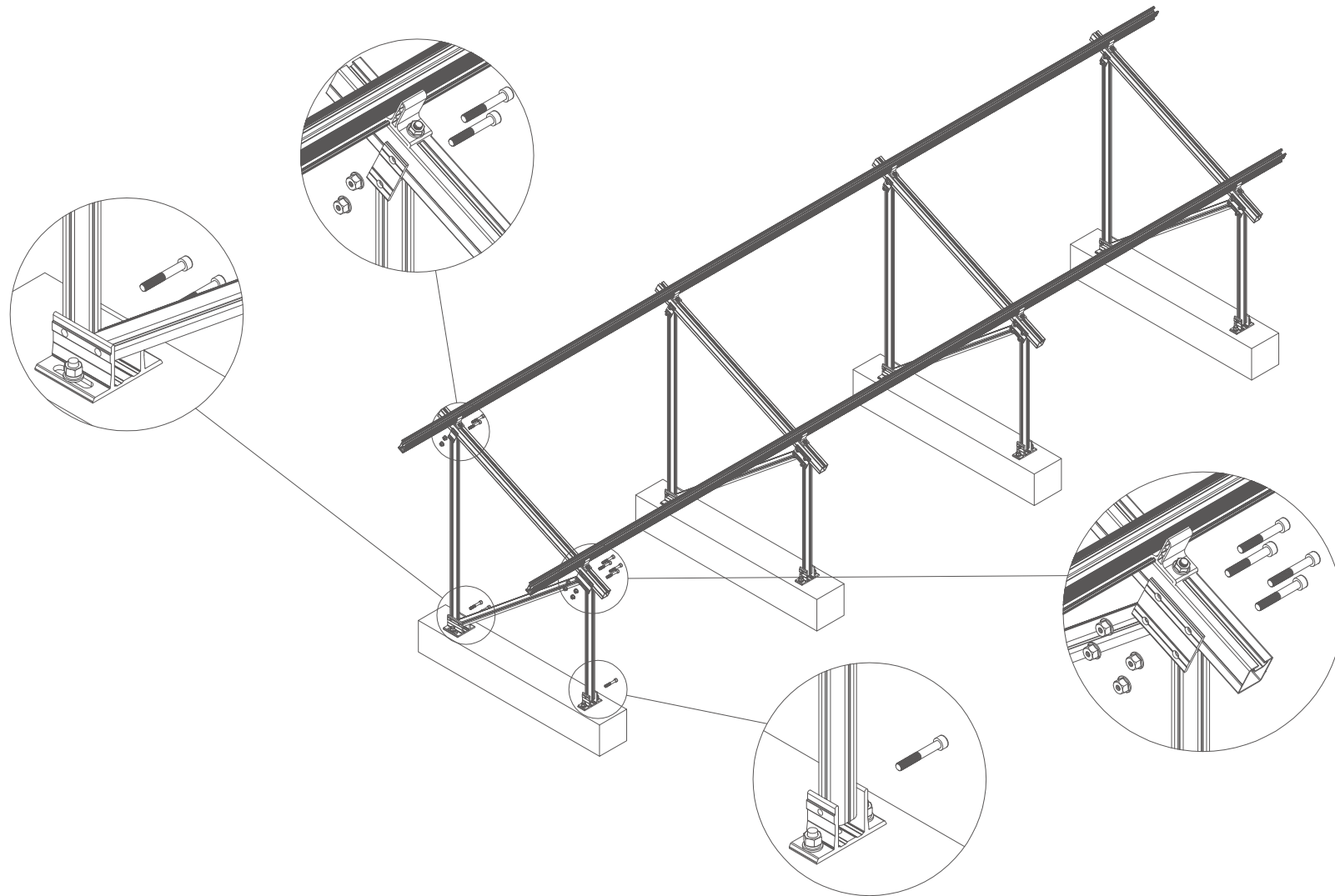


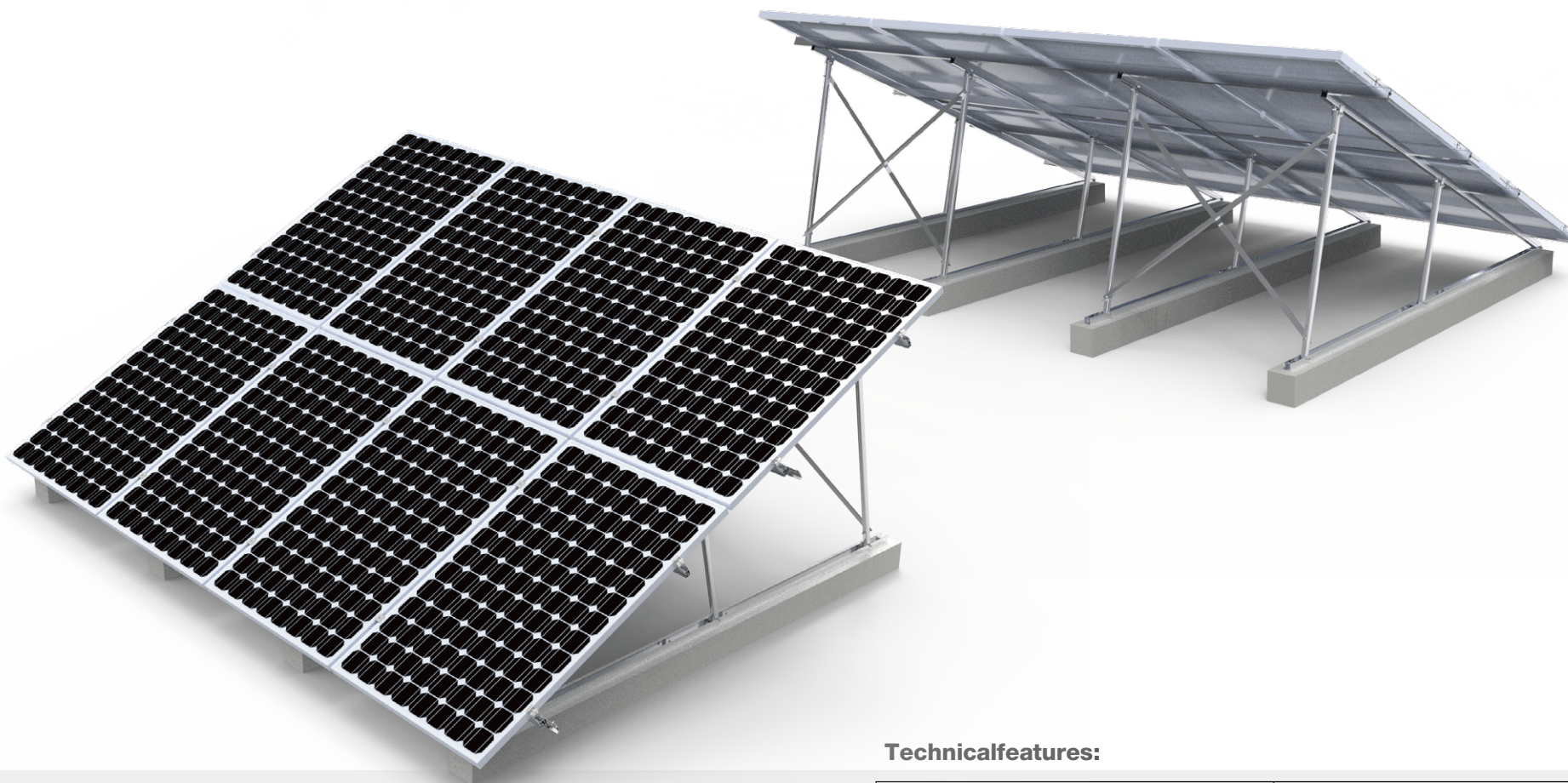


### Technical features:

N tripod rack, designed with ideal for small installation on roof or ground with designed height.  
Various elevations 15,20,25,30 or custom elevations available.  
Module height from ground: 500mm-1000mm or custom.

Product name	NH tripod rack
Application	Flat roof or open terrain
Inclination	15°,20°,25°,30°
Tripod material	Aluminum alloy 6005 T5
finish	Anodized clear, avg 12um
PV module	Framed,unframed
Module size	60 or 72cell
Module orientation	Portrait

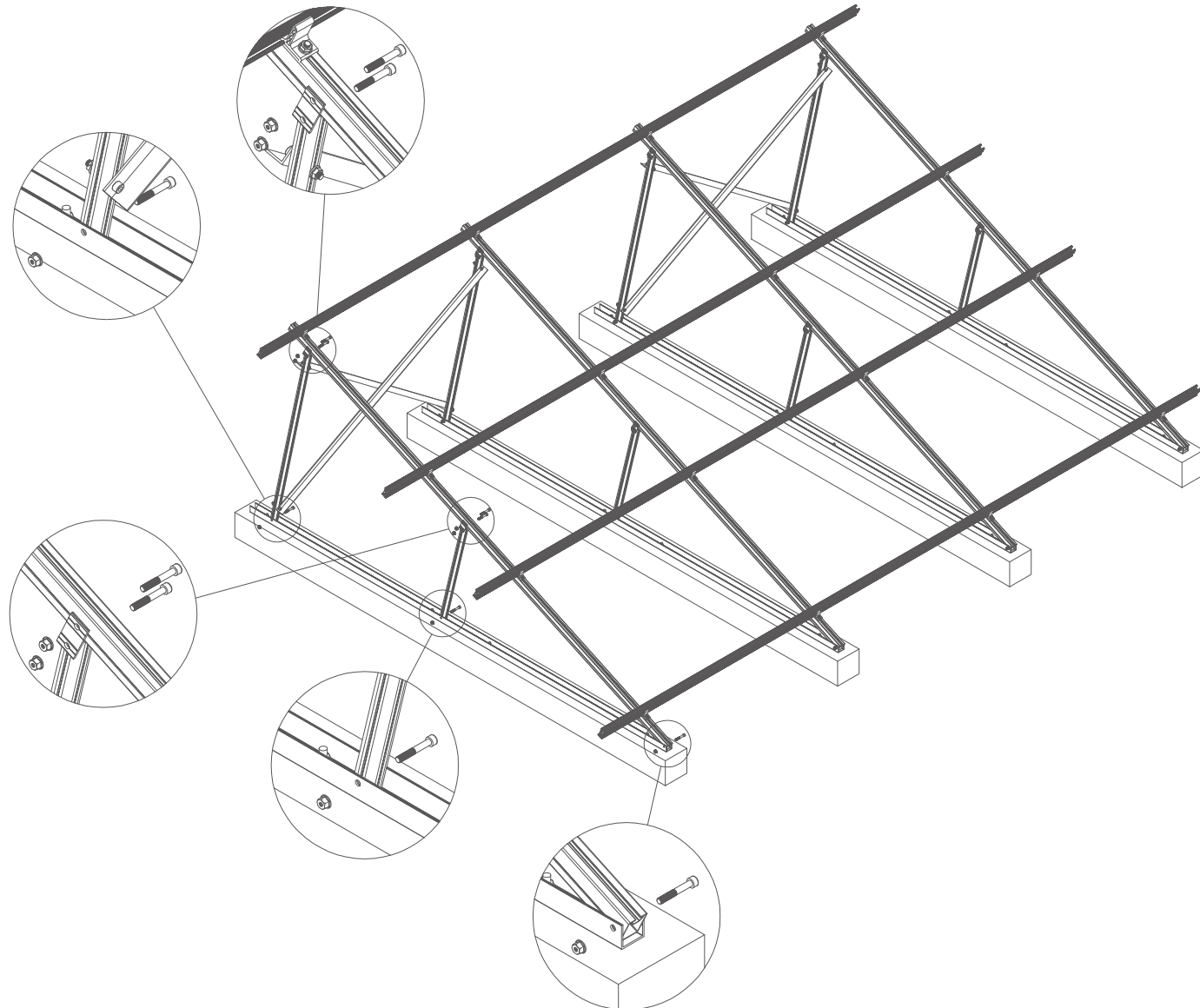




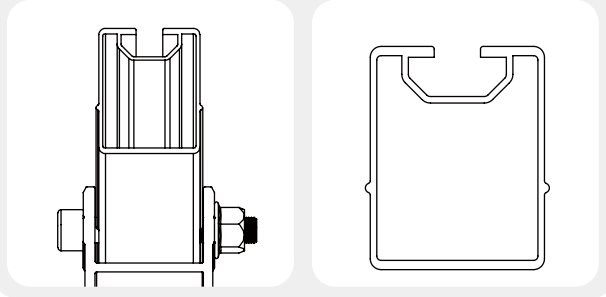
D tripod rack, ideal for small installation on roof or ground with double rows of module in portrait. Various elevations 15,20,25,30 or custom elevations available.

### Technical features:

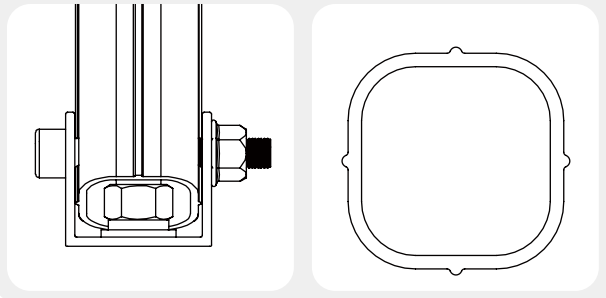
Product name	DP tripod rack
Application	Flat roof or open terrain
Inclination	15°,20°,25°,30°
Tripod material	Aluminum alloy 6005 T5
finish	Anodized clear, avg 12um
PV module	Framed,unframed
Module size	60 cell
Module orientation	Portrait



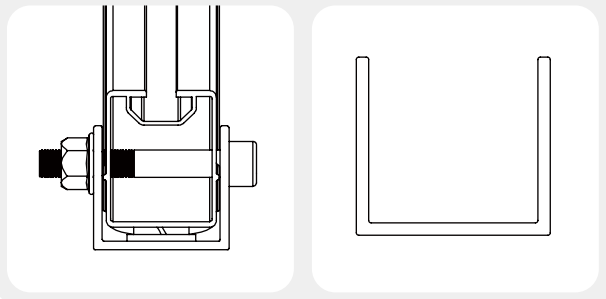
1: Tripod beam



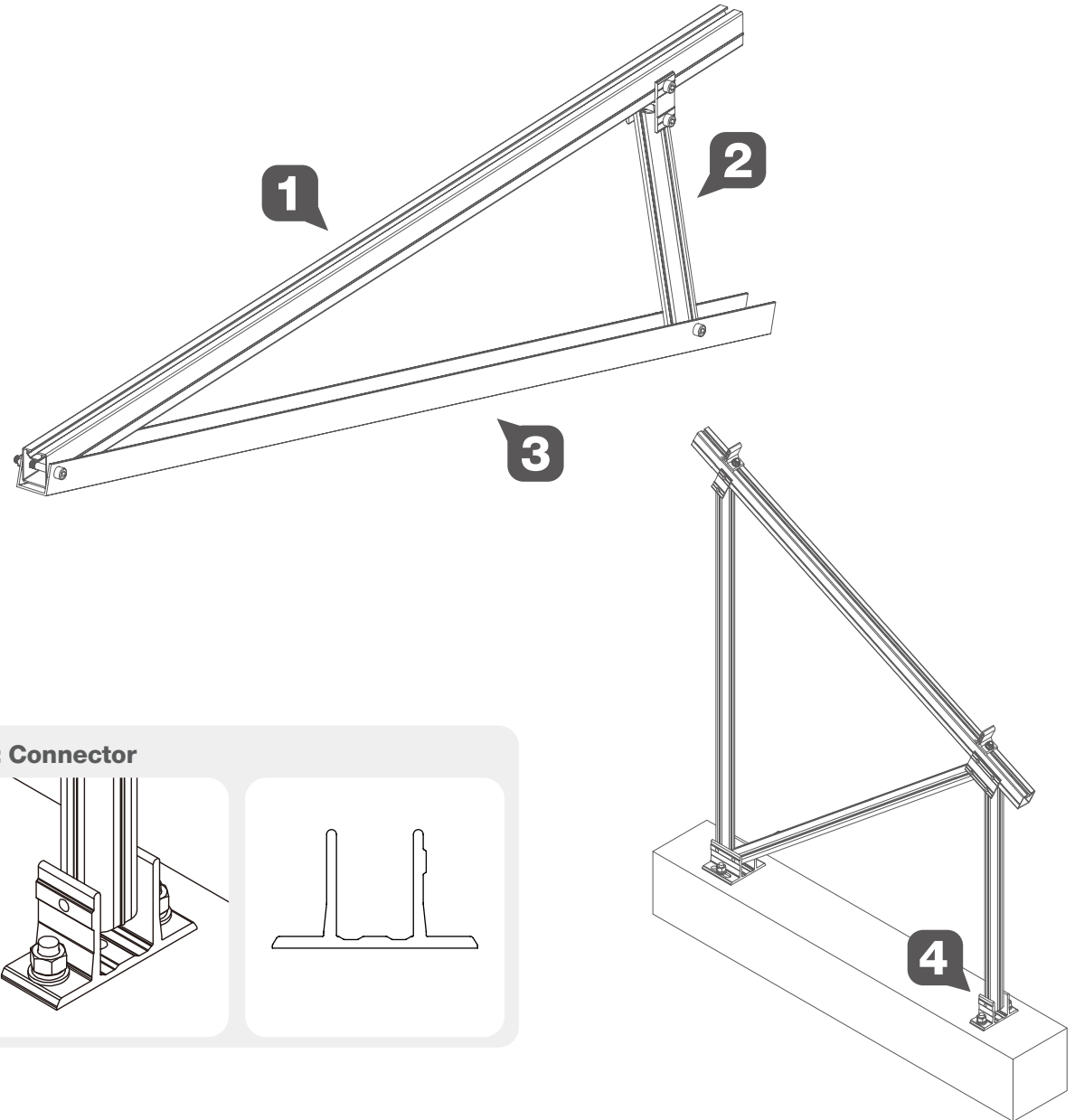
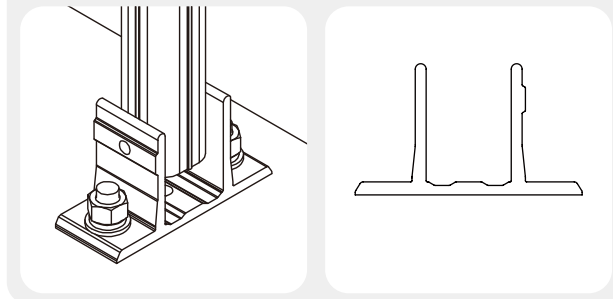
2: Tripod strut



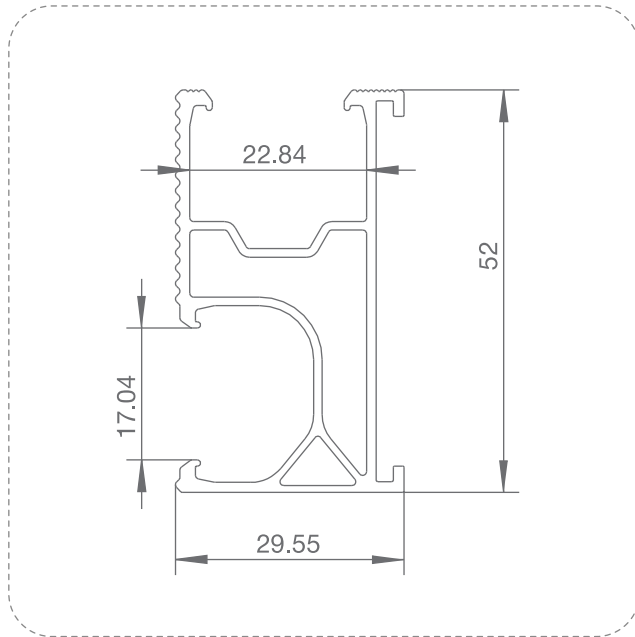
3: Tripod bottom support



4: Connector



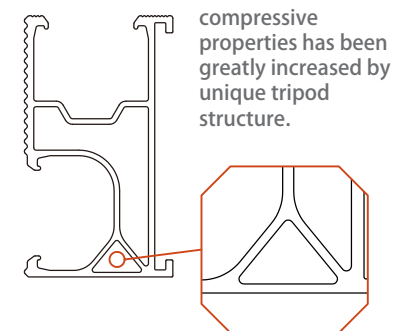
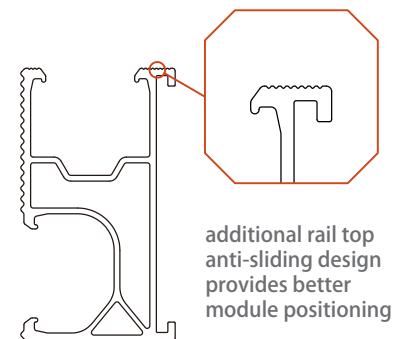




Every detail of the 2019 NEW rail has been considered and fully optimized in structural properties for a better strength with less material utilization and cost.

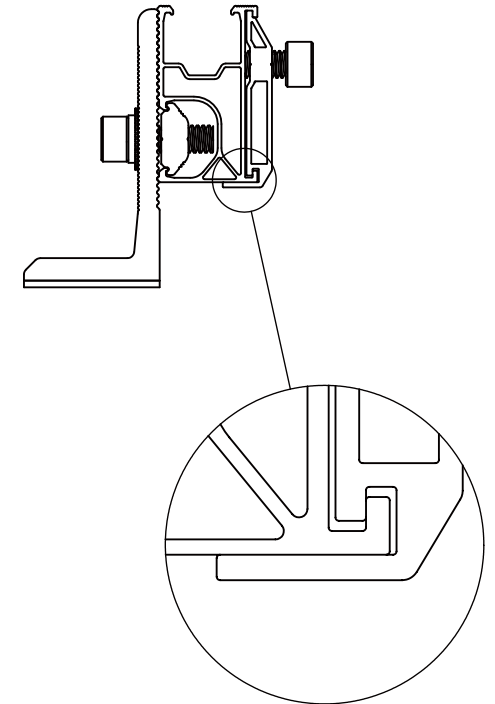
## Section characteristics

Section area moment	$S_3=1851.55\text{mm}^3$ 、 $S_2=1174.93\text{mm}^3$
Moment of inertia	$I_3=73040.08\text{mm}^4$ 、 $I_2=25980.17\text{mm}^4$
Cross section modulus	$W_3(\text{min})=2634.66\text{mm}^3$ 、 $W_2(\text{min})=1754.98\text{mm}^3$

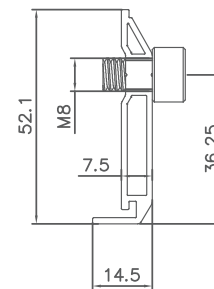
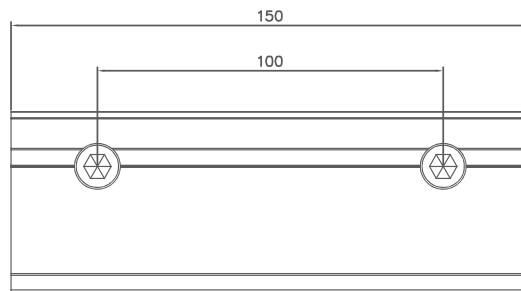
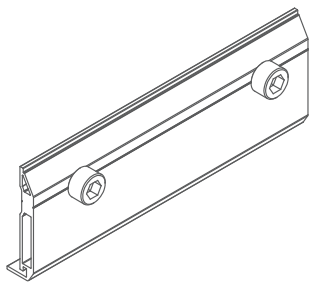


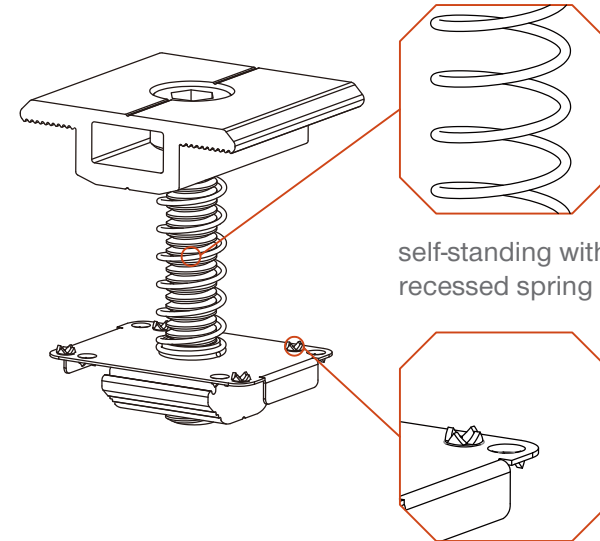


Rail can be easily spliced and bonded together with rail splices with great strength the additional bottom supporting to two joining rails provides additional safety and strength and significantly increase the rail compressive capacity.



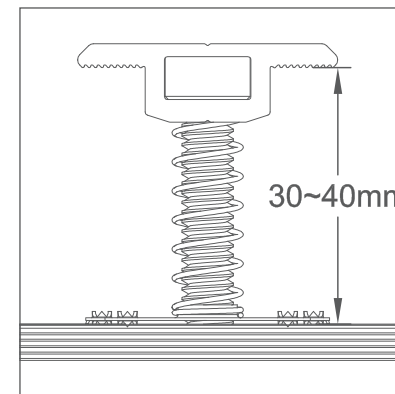
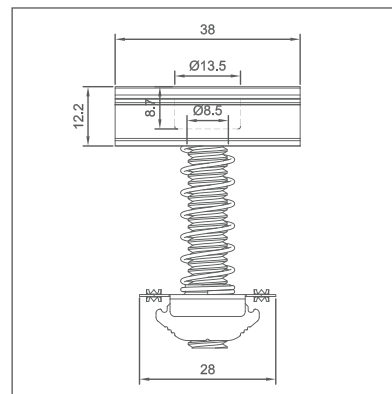
the additional bottom supporting to two joining rails provides additional safety and strength and significantly increase the rail compressive capacity.



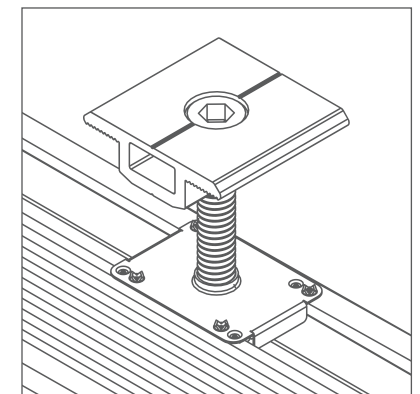


grounding pins 4 for rail, 4 for panel frame

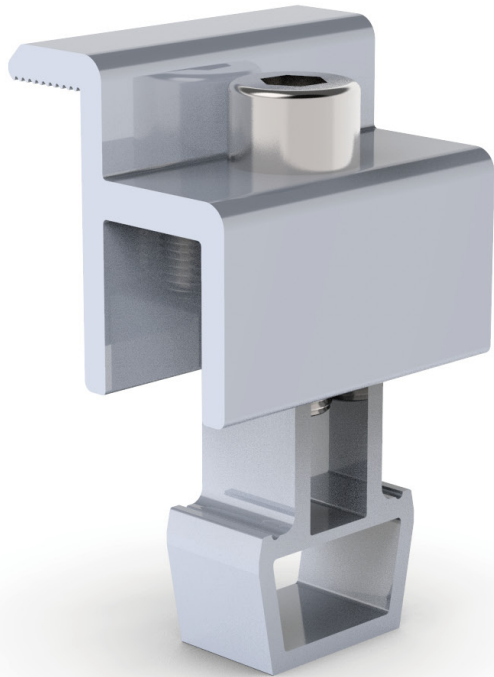
The mid clamp is universal for 30mm-40mm module size, fully pre-assembled with grounding clip, self standing by recessed spring.



universal for 30mm-40mm



Self-standing, fully pre-assembled



The END clamp is universal for 30mm-40mm module size, fully pre-assembled.

